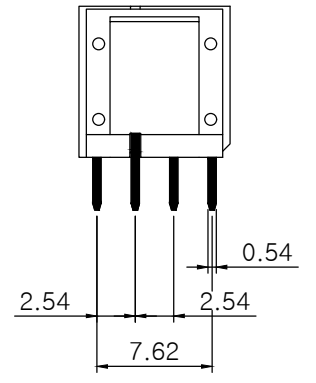
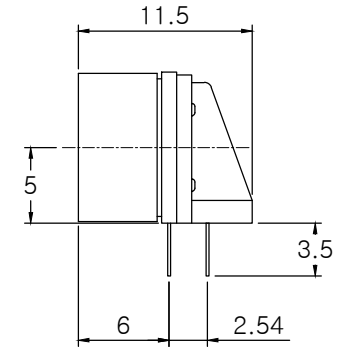
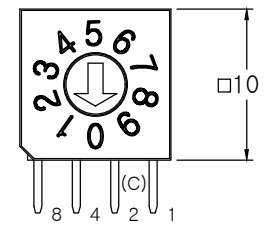
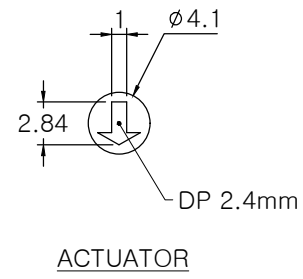


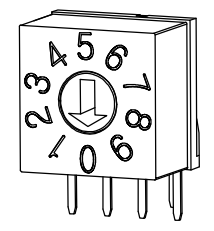
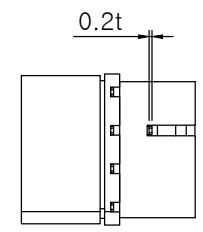
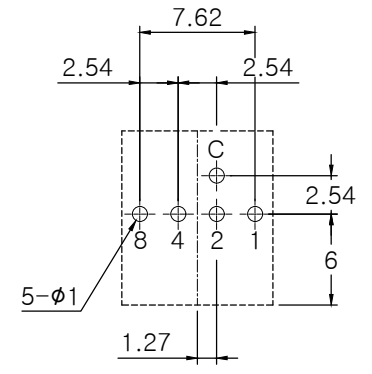
MRK.	DATE	REVISION	SIGN
△			

# SPECIFICATION

- Rating : 150mA, DC 42V (Switching)  
200mA, DC 42V (None-Switching)
- Contact Resistance : 80mΩ Max
- Insulation Resistance : 100MΩ Min
- Operating Force : 700gf Max
- Life cycle : 10,000 steps
- Sealing : IP67 (Dust & Water proof)
- Packing : 50pcs Tube



		Real Coded					
		C	1	2	4	8	
10 P o s i t i o n	0	●					0
	1	●	●				1
	2	●		●			2
	3	●	●	●			3
	4	●			●		4
	5	●	●		●		5
	6	●		●	●		6
	7	●	●	●	●		7
	8	●				●	8
	9	●	●			●	9



DRAW/DESIGNED	CHECKED	APPROVED	G.T.L	TITLE	ROTARY DIP SWITCH	
Y.S KIM	B.S KANG	K.I LEE	0.3	MODEL NO.	EDR-10H1	REV.
2021-08-10	2021-08-10	2021-08-12	mm	UNIT		
邦斯达 BONSDA 深圳市子康科技有限公司			SCALE	DRAW NO.	EDR-10H1-03	03
			SIZE			
			A4			

